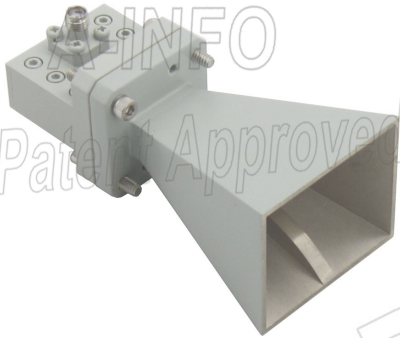


For reference only. See data sheet for the detailed specifications.

## Technical Specification



Frequency Range(GHz)	8.0 – 18.0
Gain(dBi)	10 Typ.
Polarization	Linear
3dB Beamwidth(deg)	E Plane: 52 - 26
	H Plane: 52 - 26
Cross Pol. Isolation(dB)	35 Typ.
VSWR	1.5:1 Typ.
	2.0:1 Max.
Connector	SMA-Female or N-Female or High Power N-Female
Power Handling(W CW)	SMA-Female: 50 Max.
	N-Female: 150 Max.
	HP N-Female: 500 Max.
Material	Al
Finish	Nickel Plated and Passivation, Gray Paint
Size(mm)	48 x 39 x 96.7
Net Weight(Kg)	0.22 Around

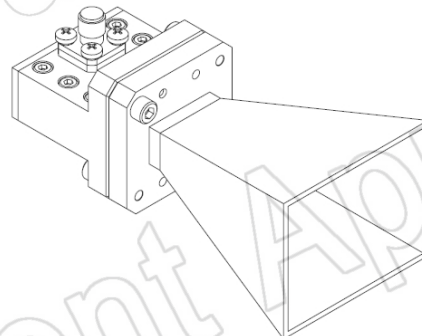
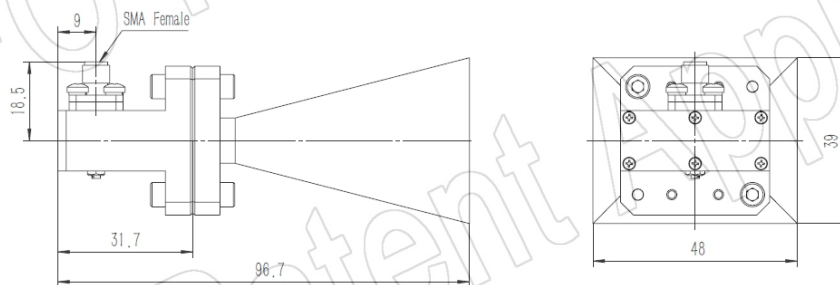
**PATENT ID (China)**

**ZL201630458390.7**

## Outline Drawing (Size: mm)

SMA-Female Output (P/N: LB-80180-SF)

For N-Female or High Power N-Female output outline drawing, please contact A-INFO.



**AINFO Inc.**

China(Beijing):  
China(Chengdu):  
USA :

Tel: (+86) 10-6266-7326,  
Tel: (+86) 28-8519-2786,  
Tel: (+1) 949-639-9688,

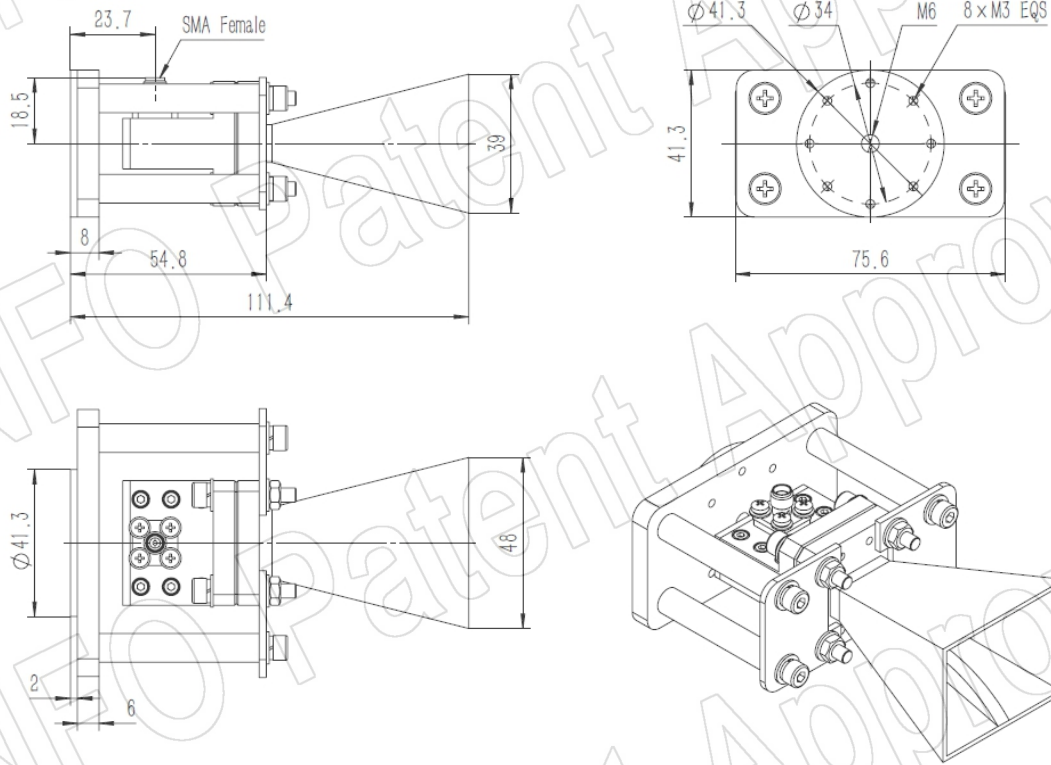
(+86) 10-6266-7327  
(+86) 28-8519-3044  
(+1) 949-639-9608

Fax: (+86) 10-6266-7379  
Fax: (+86) 28-8519-3068  
Fax: (+1) 949-639-9670

Website: [www.ainfoinc.com](http://www.ainfoinc.com)  
Email: [sales@ainfoinc.com](mailto:sales@ainfoinc.com)

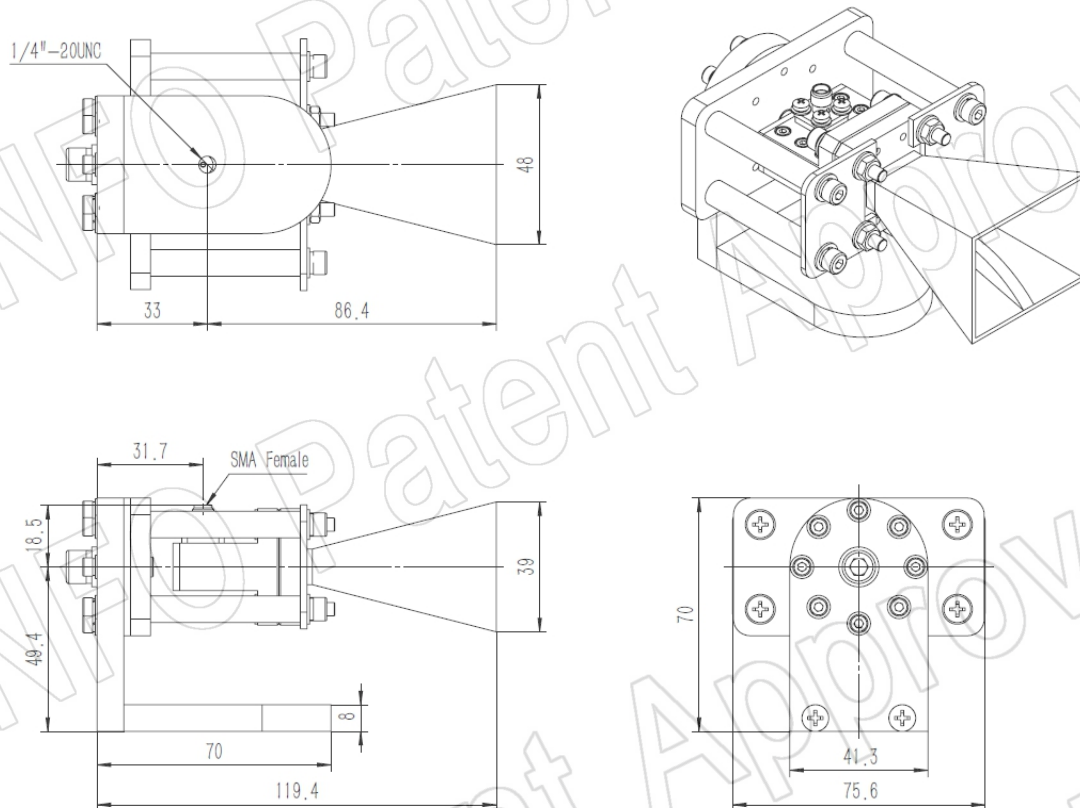
## SMA-Female Output with Round Mounting Bracket (Option, P/N: LB-75180-10-C-MB)

For N-Female or High Power N-Female output outline drawing, please contact A-INFO.



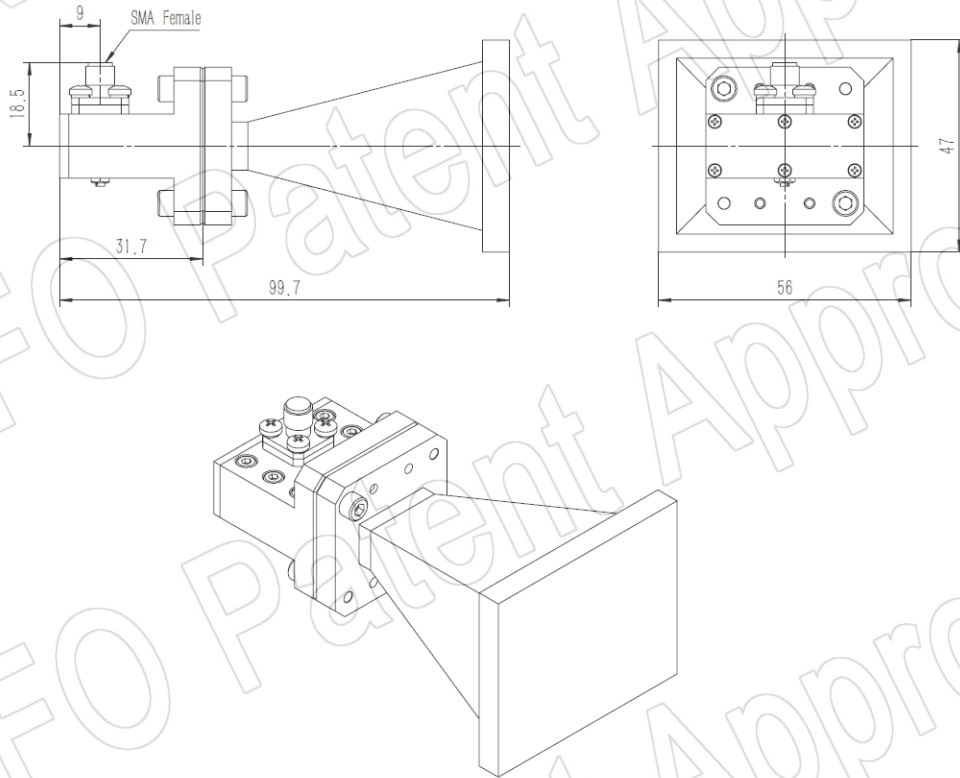
## SMA-Female Output with L Type Mounting Bracket (Option, P/N: LB-75180-10-C-MBL)

For N-Female or High Power N-Female output outline drawing, please contact A-INFO.



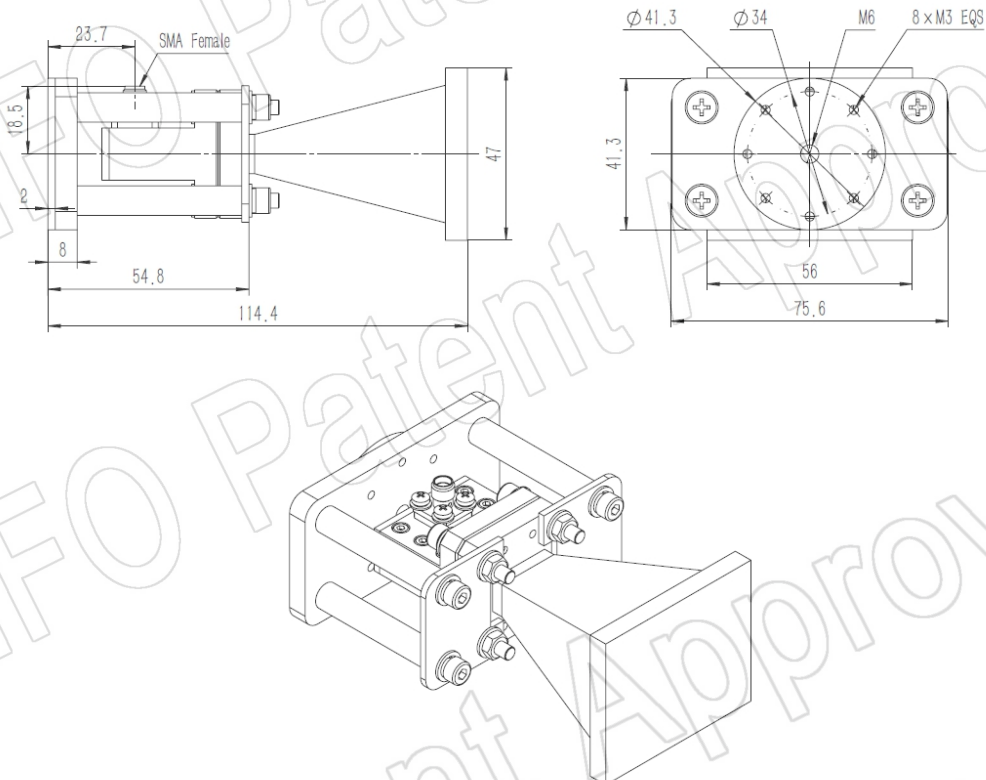
**SMA-Female Output with Radome (Option, P/N: LB-80180-SFSP0, Outdoor Application)**

For N-Female or High Power N-Female output outline drawing, please contact A-INFO.



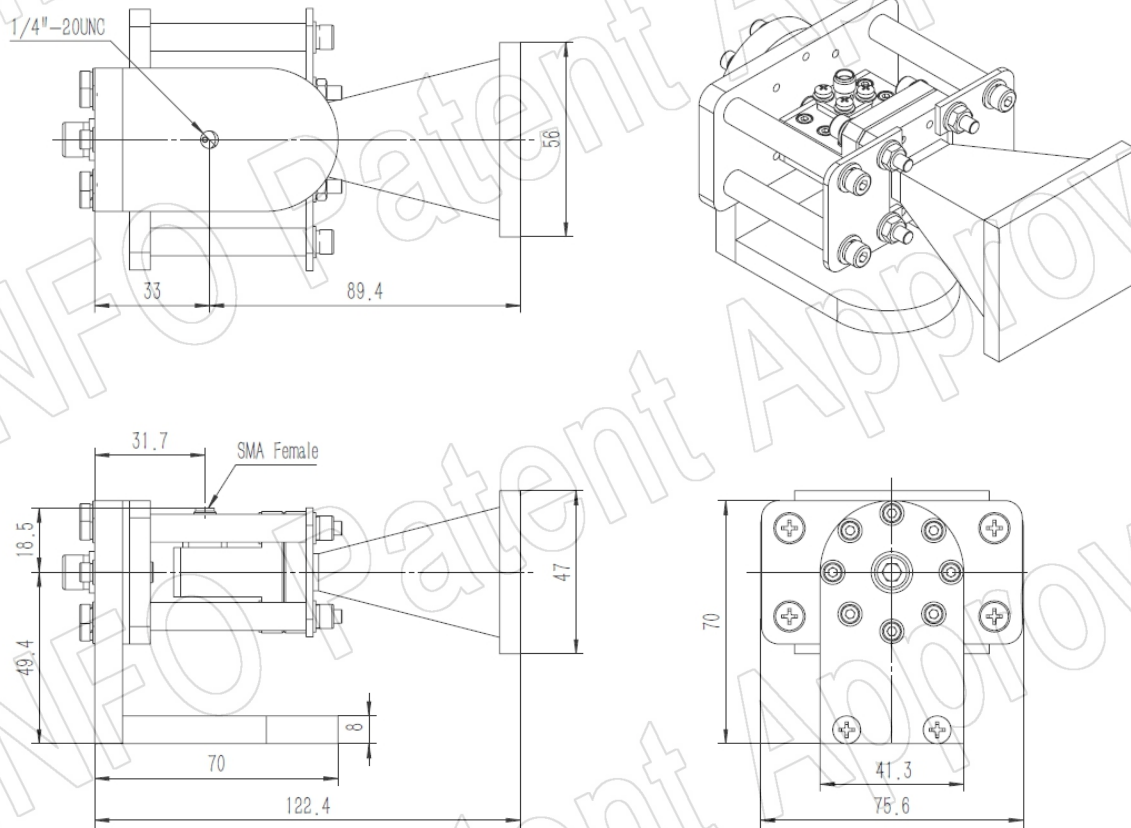
**SMA-Female Output with Round Mounting Bracket & Radome (Option, P/N: LB-75180-10-C-MB & LB-80180-SFSP0, Outdoor Application)**

For N-Female or High Power N-Female output outline drawing, please contact A-INFO.



SMA-Female Output with L Type Mounting Bracket & Radome (Option, P/N: LB-75180-10-C-MBL & LB-80180-SFSP0, Outdoor Application)

For N-Female or High Power N-Female output outline drawing, please contact A-INFO.



**AINFO Inc.**

China(Beijing):  
China(Chengdu):  
USA :

Tel: (+86) 10-6266-7326,  
Tel: (+86) 28-8519-2786,  
Tel: (+1) 949-639-9688,

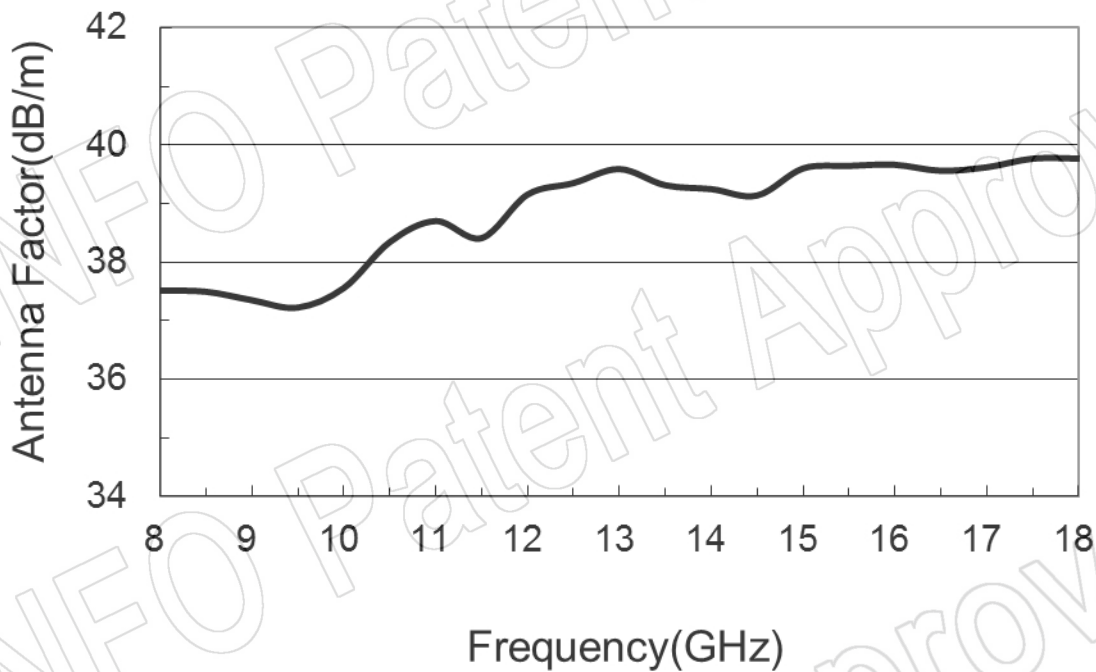
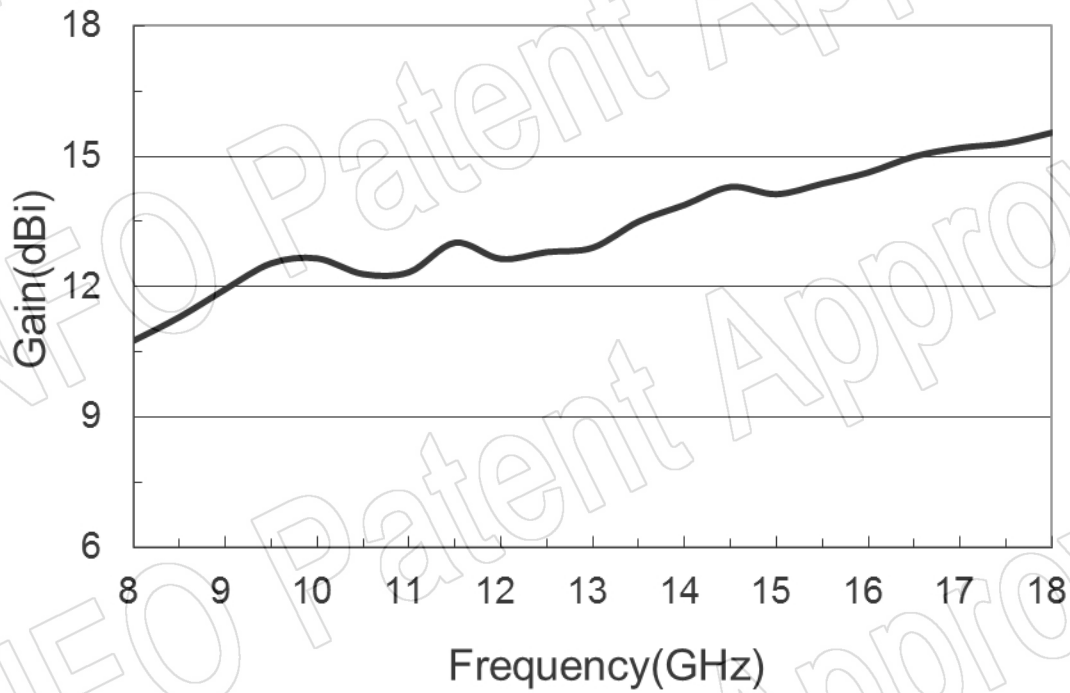
(+86) 10-6266-7327  
(+86) 28-8519-3044  
(+1) 949-639-9608

Fax: (+86) 10-6266-7379  
Fax: (+86) 28-8519-3068  
Fax: (+1) 949-639-9670

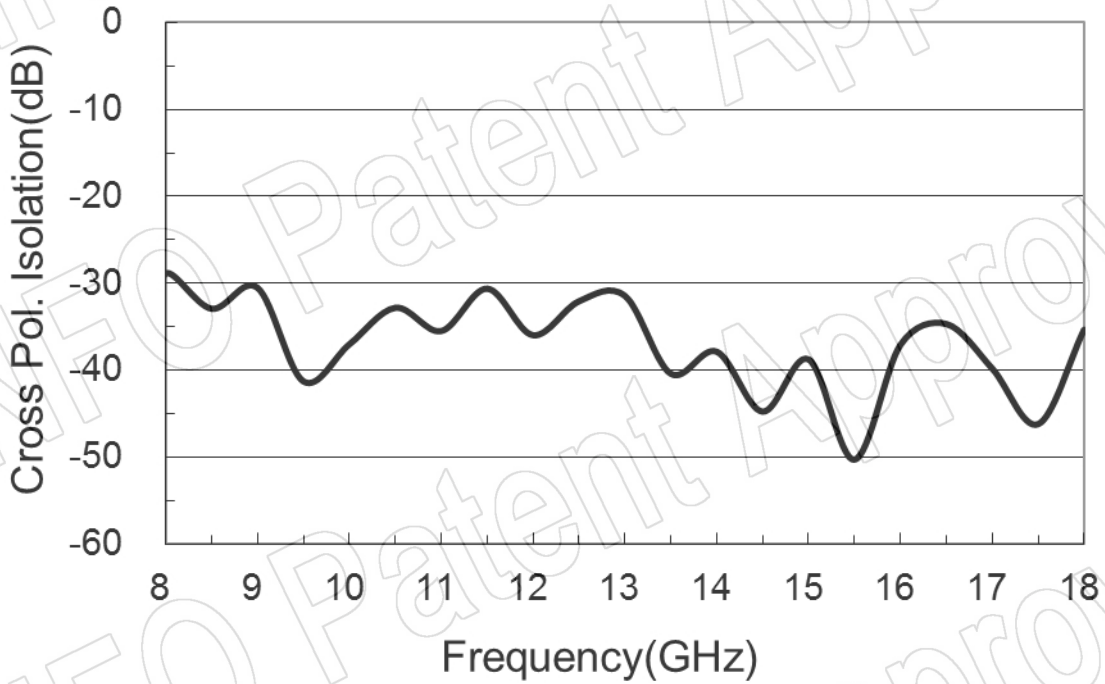
Website: [www.ainfoinc.com](http://www.ainfoinc.com)  
Email: [sales@ainfoinc.com](mailto:sales@ainfoinc.com)

## Test Results

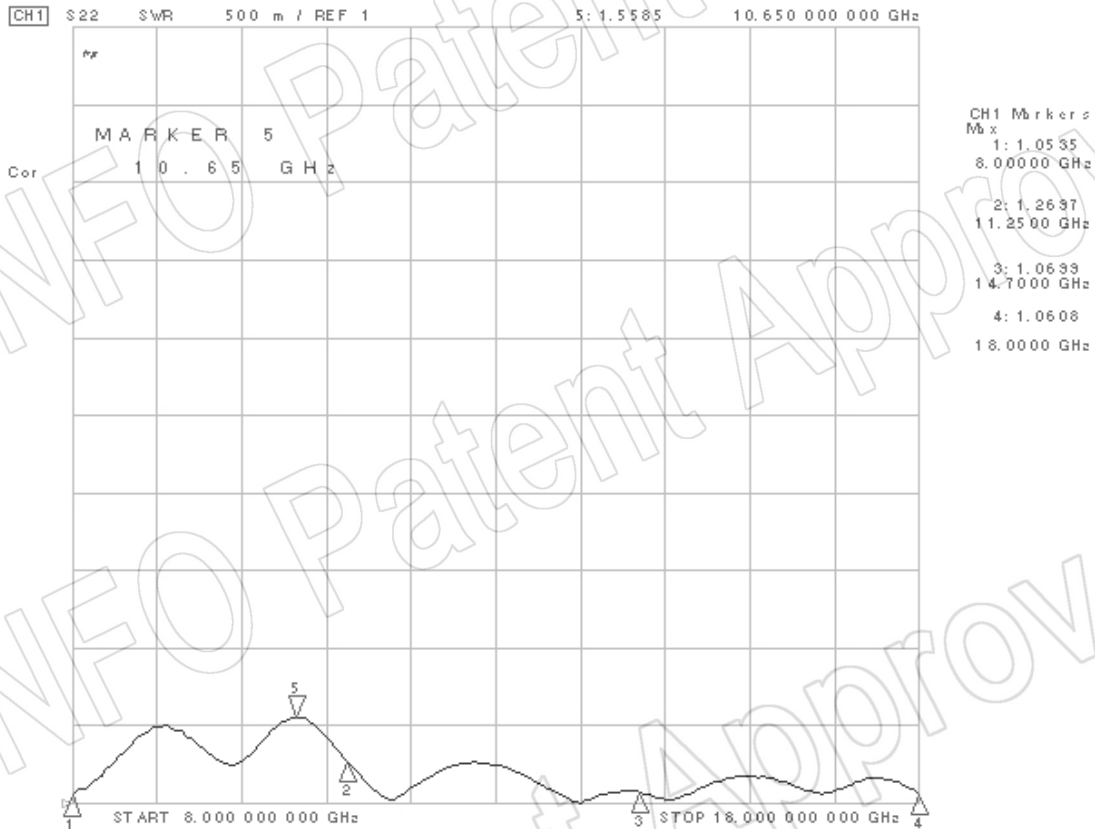
### 1. Gain & Antenna Factor



## 2. Cross Polarization Isolation



## 3. VSWR



## 4. Pattern

